

THE XY FINDER

The XY Finder is a new unique accessory that is designed to make finding guide stars easier, and will allow the guide scope to be permanently aligned with the main telescope. The XY Finder is specifically designed for use with a guide scope.

The XY finder has a 1¼" O.D. nosepiece [Fig.2] for attaching to guide scopes, and it has a 1¼" I.D. receptacle [Fig. 1] for installing autoguider.

Using the XY Finder is very simple. Before using the XY Finder make sure that the guide scope is aligned with the main telescope. And make sure the guide scope is secured to the main telescope. Insert the XY Finder into the guide scope, and tighten the guide scope's eyepiece port knobs [Fig. 3]. Insert the autoguider into the XY Finder, and tighten the XY Finder's autoguider port knobs. [Fig. 4] Now the unit is ready to use.

For finding guide stars, turn the Horizontal adjustment control knob clockwise or counter clockwise. And also try turning the Vertical adjustment control knob clockwise or counter clockwise. While turning these knobs notice the LCD display of the STV autoguider or the brightness values of the ST4 autoguider or STV autoguider. If you have a flip-mirror focuser for your autoguider, then simply view through the focuser while turning these knobs, till you see a suitable star. There are knobs on each side of the controls [Horizontal, and Vertical] so one can use either hand for turning.

Once a star has been centered, begin autoguiding. There are no locking thumbscrews or knobs to lock down the moving components on the XY Finder, once a target star is centered. The components inside the XY Finder will not move, unless one of the control knobs is turned.

Also on the XY Finder are special screws that are called Ball Plunger screws. [Fig. 5] The purpose for these screws is to allow the user to control the amount of tension that is acting upon the moving components. These are preset at our company, but the user can make adjustments that they feel would be better suited for their particular circumstance.

For technical assistance please contact:

Tau Ceti Co.

Sam Barziza

P.O. Box 1101

Conroe, TX 77305

P. 936-539-4073

F. 936-539-4921

E. sbarziza@lcc.net

www.us-astro.com

THE XY FINDER

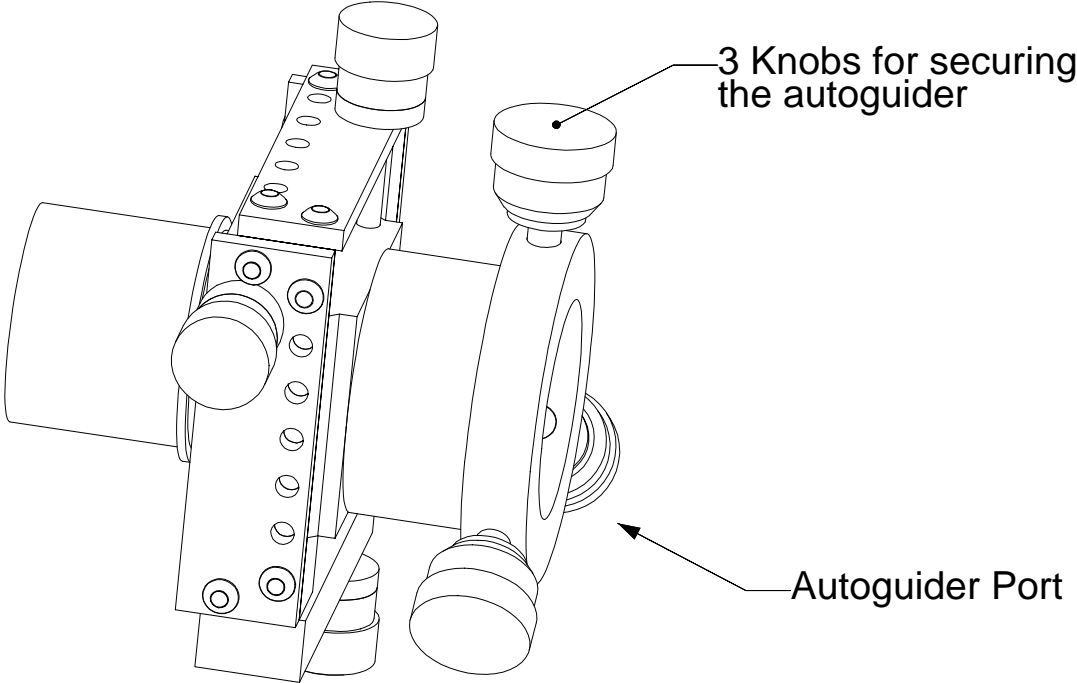


Fig.1

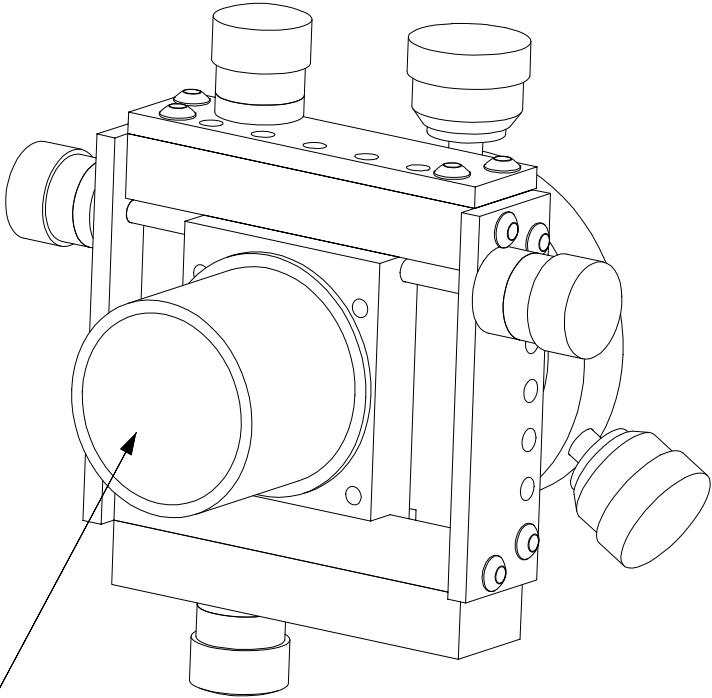


Fig. 2

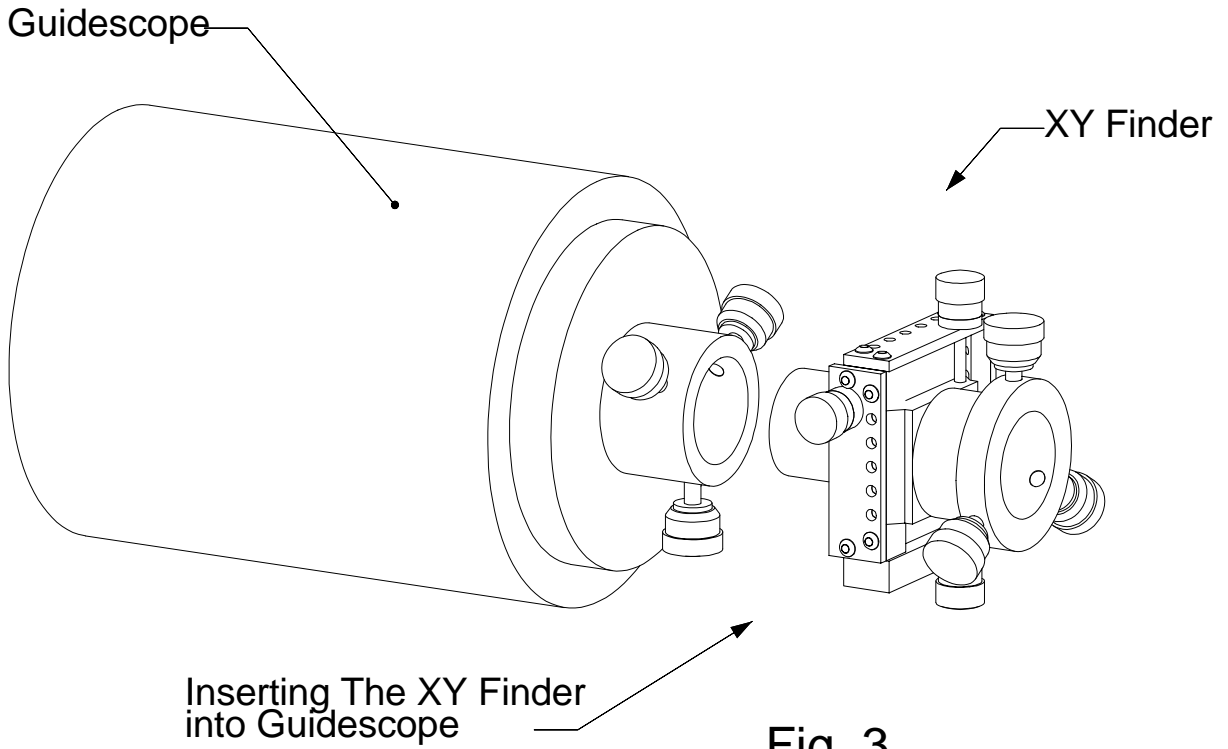


Fig. 3

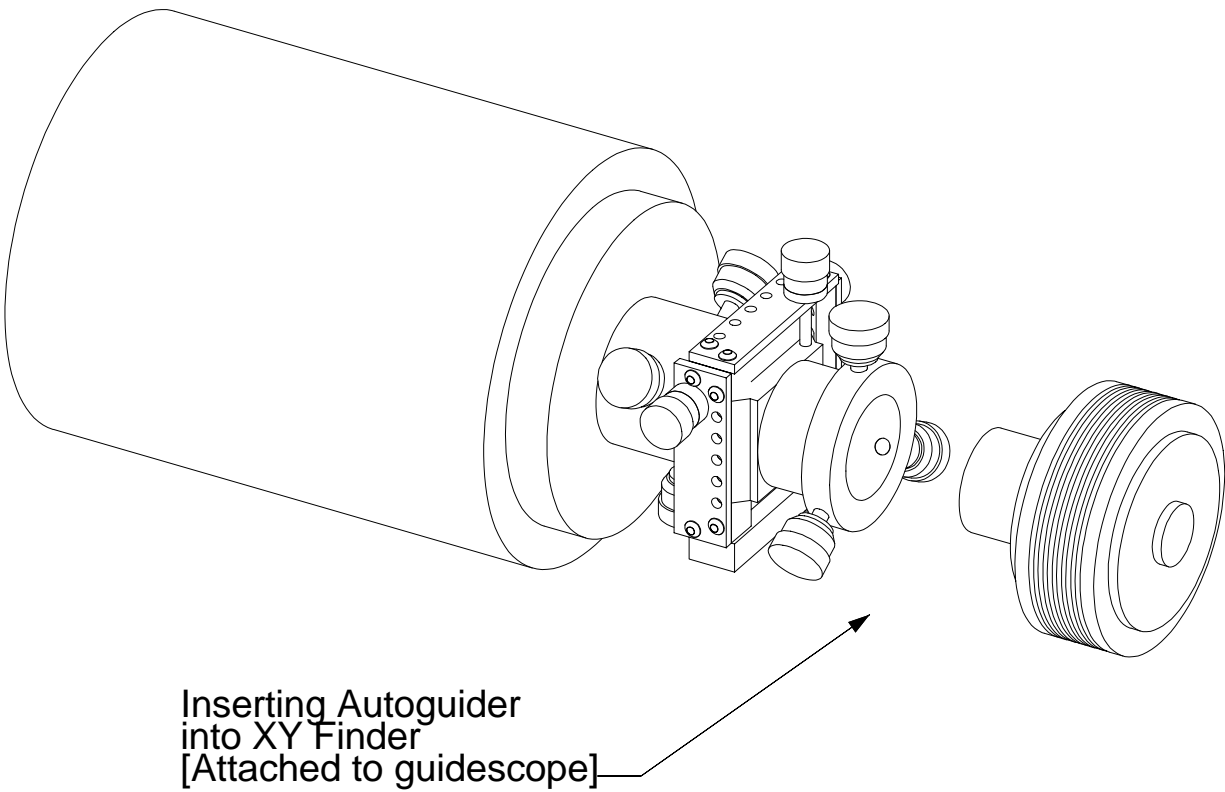


Fig. 4

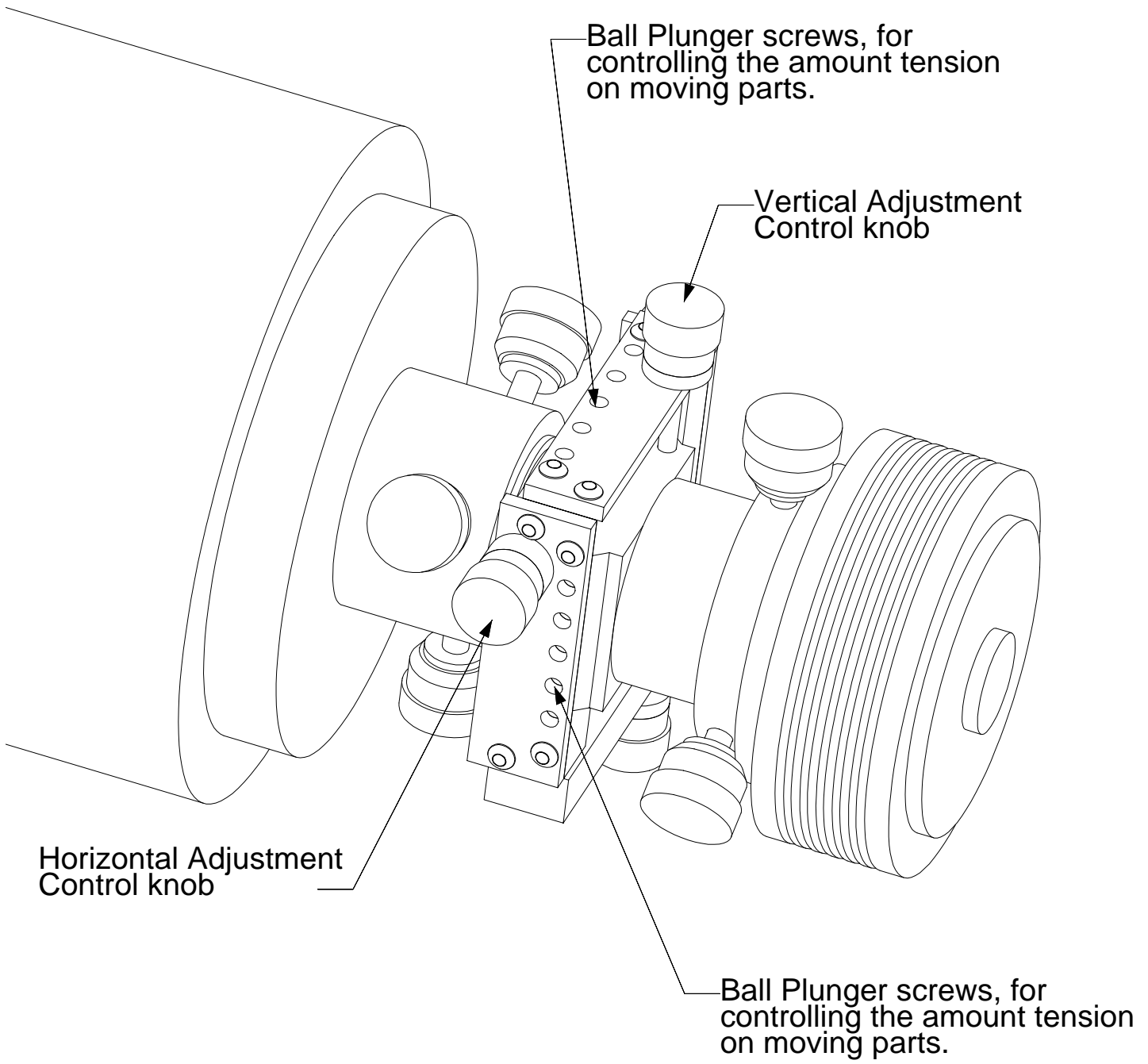


Fig. 5